

SPECIFICATIONS

Input

- **Control Voltage:** 18-30 VAC
- **Frequency:** 50/60 Hz

Output

- **Type:** Relay
- **Form:** SPST N.O.
- **Rating:** 25 amps @ 240 VAC

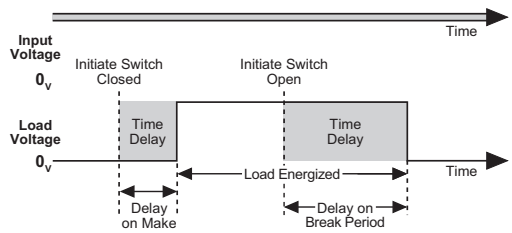
Time Delays

- **ON Delay:** 7 seconds
 - **OFF Delay:** 65 seconds
- Speed Up Options**
- Speed up to C = Reduced delay (3 sec. ON, 5 sec. OFF)
 - Speed up to R = No delay

Environmental

- -20°F to 200°F
- 5% to 95% non-condensing

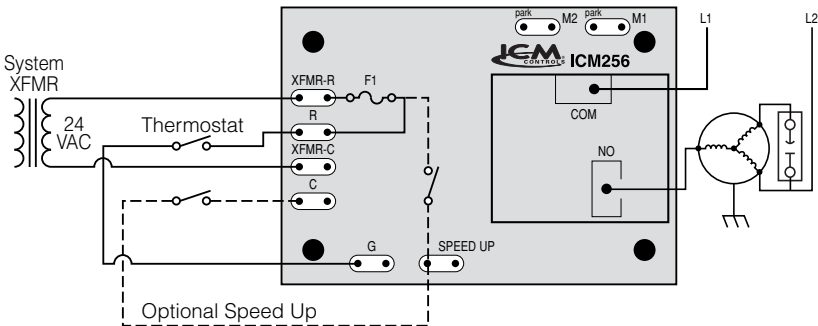
Timing Diagram



MODE OF OPERATION

Upon application of power to the G terminal, the **ICM256** recognizes a call for the blower and a 7 second delay on make period begins. After the 7 second ON delay, the control energizes the blower motor. Upon removal of power from the G terminal, the board will keep the blower on for an additional 65 seconds. At the end of the 65 second OFF delay, the blower will shut off.

WIRING DIAGRAM



TROUBLESHOOTING

Problem	Solution
Fan will not turn on	Check Fuse (F1). Check for 24VAC at R & C. Check for thermostat call.
No delay or reduced delay	Make sure the board is not in test mode.